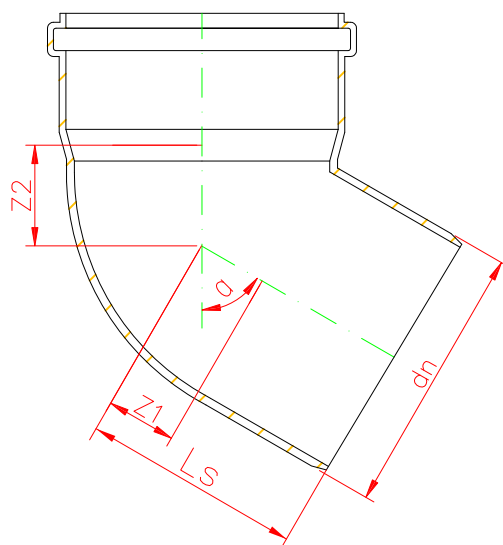


Koleno



DN/OD / α	dn	z ₁	z ₂	L _s
110/15°	110	9	15	73
110/30°	110	17	21	77
110/45°	110	25	29	85
110/60°	110	40	44	90
110/87°30'	110	60	65	100
125/15°	125	10	16	77
125/30°	125	19	23	86
125/45°	125	28	33	95
125/60°	125	46	50	111
125/87° 30'	125	65	70	107
140/30°	140	40	40	111
140/45°	140	33	40	104
140/60°	140	45	53	116
160/15°	160	13	19	93
160/30°	160	24	30	101
160/45°	160	36	42	112
160/60°	160	58	64	143
160/87°30'	160	83	89	163
200/15°	200	28	37	114
200/30°	200	29	37	140
200/45°	200	45	53	145
200/87°30'	200	105	113	203
250/87° 30'	250	132	143	150