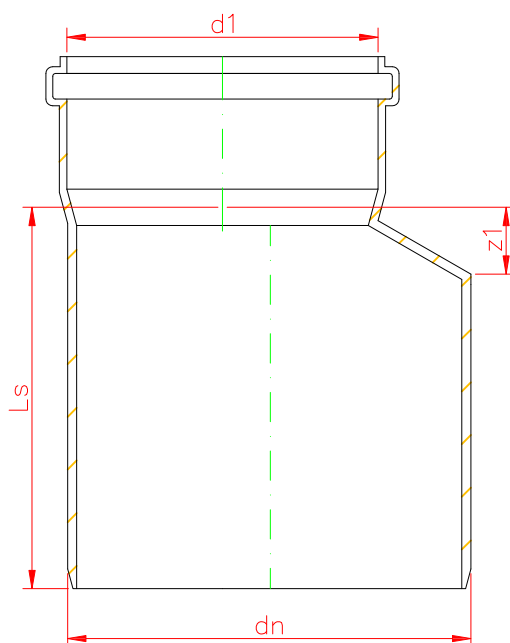


Nesúosá redukcia



DN/OD	d_n	d_1	z_1	L_s
125/110	125	110	15	82
140/125	140	125	27	98
140/110	140	110	37	115
160/110	160	110	34	172
160/125	160	125	29	173
160/140	160	140	40	120
200/160	200	160	45	164
250/200	250	200	47	261
315/200	315	200	62	302