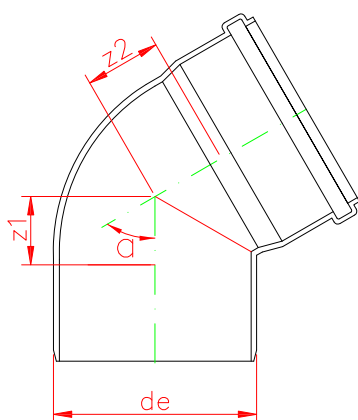


Koleno



de/α	z1	z2
32/87,5°	19	23
40/30°	7	11
40/45°	10	14
40/87,5°	23	26
50/30°	9	12
50/45°	12	16
50/87,5°	28	31
63/30°	10	14
63/45°	15	18
63/87,5°	34	37
75/15°	7	11
75/30°	12	15
75/45°	18	21
75/60°	24	27
75/87,5°	40	43
110/15°	9	14
110/30°	17	21
110/45°	25	29
110/60°	35	38
110/87,5°	57	61