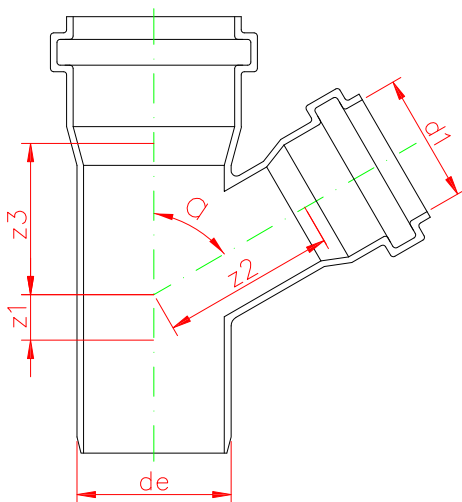


Odbočka



de/d1	α	z1	z2	z3
40/40	45°	10	49	49
40/40	60°	14	37	37
50/40	45°	5	56	53
50/40	60°	11	43	40
50/50	45°	12	61	61
50/50	60°	17	46	46
63/40	60°	7	51	44
63/50	60°	13	54	51
63/63	60°	21	57	57
75/63	60°	17	64	61
75/75	60°	24	68	68
110/50	45°	17	104	90
110/50	60°	1	80	64
110/63	60°	8	84	71
110/75	60°	15	87	78
110/110	45°	25	135	134
110/100	60°	-	-	-
110/110	87,5°	-	-	-