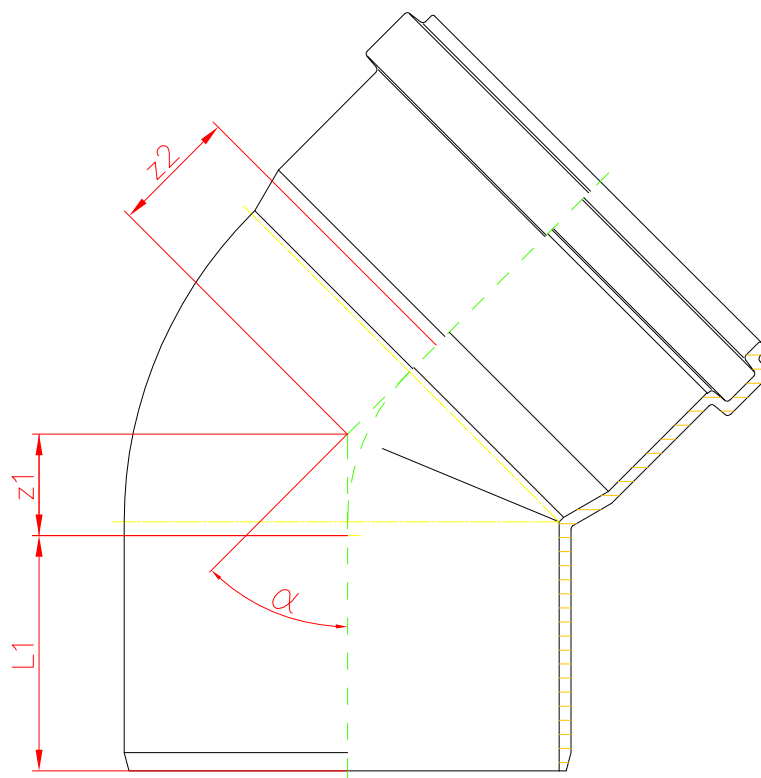


PP-HT koleno



DN/ α	z1	z2	L1
50/15°	5	10	46
50/30°	9	13	46
50/45°	12	16	46
50/87,5°	28	31	46
110/15°	9	17	58
110/30°	17	24	58
110/45°	25	31	58
110/87,5°	57	61	58